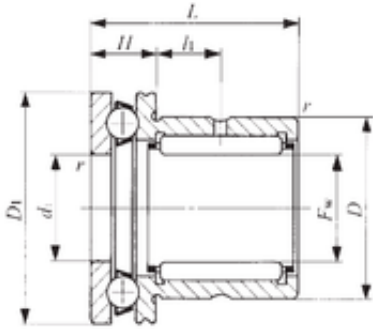


Bearing No. NAX 1523



Bore Diameter	15 mm
Outer Diameter	24 mm
Fw	15 mm
D	24 mm
D1	28 mm
d1	15 mm
r min.	0,3 mm
H	9 mm
L	23 mm
L1	6,5 mm
da min.	23 mm
Weight	0,0475 Kg
Dynamic load rating radial (C)	12,3 kN
Dynamic load rating axial (C)	9,93 kN
Static load rating radial (C0)	14,9 kN
Static load rating axial (C0)	12,2 kN