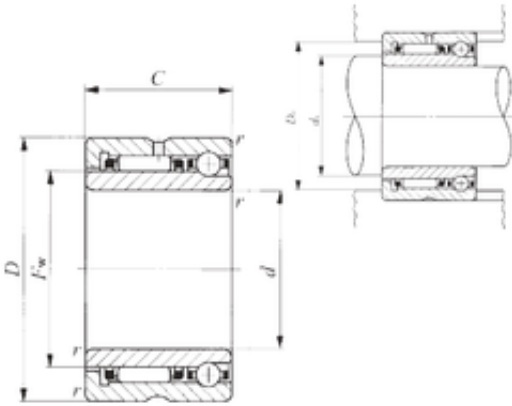


### Bearing No. NATA 5906



Size	30x47x23 mm
Bore Diameter	30 mm
Outer Diameter	47 mm
Width	23 mm
d	30 mm
Fw	35 mm
D	47 mm
B	23 mm
C	23 mm
r min.	0,3 mm
da min.	32 mm
Da max.	45 mm
Weight	0,151 Kg
Dynamic load rating radial (C)	17,7 kN
Dynamic load rating axial (C)	4,55 kN
Static load rating radial (C0)	26,8 kN
Static load rating axial (C0)	8,46 kN