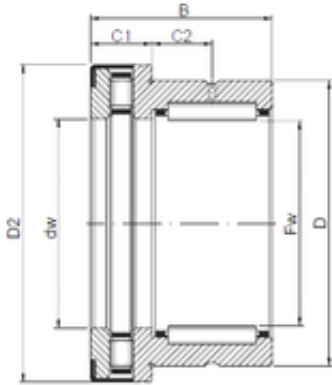


Bearing No. NKXR 15 Z



Size	15x24x23 mm
Bore Diameter	15 mm
Outer Diameter	24 mm
Width	23 mm
d	15 mm
Fw	15 mm
D	24 mm
B	23 mm
C1	9 mm
D2	29,2 mm
C2	6,5 mm
Weight	0,045 Kg
Dynamic load rating radial (C)	10,7 kN
Dynamic load rating axial (C)	14,4 kN
Static load rating radial (C0)	12,7 kN
Static load rating axial (C0)	28,5 kN
Reference speed	6500 r/min