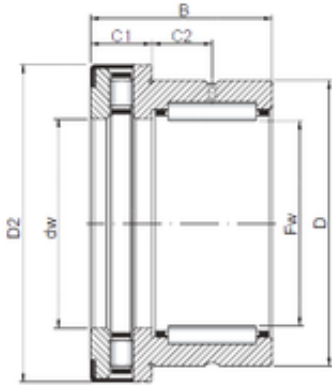


Bearing No. NKXR 30 Z



Size	30x42x30 mm
Bore Diameter	30 mm
Outer Diameter	42 mm
Width	30 mm
d	30 mm
Fw	30 mm
D	42 mm
B	30 mm
C1	11 mm
D2	48,2 mm
C2	9,5 mm
Weight	0,141 Kg
Dynamic load rating radial (C)	22,6 kN
Dynamic load rating axial (C)	35,5 kN
Static load rating radial (C0)	36 kN
Static load rating axial (C0)	86 kN
Reference speed	2900 r/min