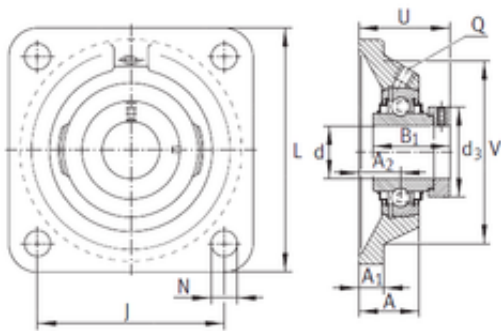


### Bearing No. RCJ25-N-FA125



Bore Diameter	25 mm
d	25 mm
V	74 mm
U	46 mm
Thread (Q)	Rp1/8
d3	37,5 mm
A	29 mm
A1	11 mm
B1	44,5 mm
J	70 mm
L	95 mm
N	11,5 mm
A2	19 mm
Weight	0,82 Kg
Basic dynamic load rating (C)	14 kN
Category	Bearings
BDI Inventory	0.0
Manufacturer Name	SCHAEFFLER GROUP
Minimum Buy Quantity	N/A
Weight / Kilogram	0.82
Product Group - BDI	M06110